

Renewable Energy Solutions



Hydrometric & Environmental Solutions



Education & Training Solutions



Operation, Maintenance and Rehabilitation



Aerospace and Aviation Solutions



AI & Cybersecurity Solutions



FIRAS BALASMEH CORPORATION FOR CONTROL SYSTEMS "FB GROUP"

- Renewable energy solutions
- Hydrometric & Environmental solutions
- Education & Training solutions
- AI & Cybersecurity solutions
- Aerospace & Aviation solutions
- Operation, Maintenance and Rehabilitation

+96264643756

info@fbgroup.com.jo

Fbgroup.com.jo



FIRAS BALASMEH CORPORATION FOR CONTROL SYSTEMS FB GROUP

Introduction

About Us

Firas Balasmeh Corporation for Control Systems "FB GROUP" is a Jordanian corporation that has been proudly serving the region since 2010. Headquartered in Jordan, FB GROUP is a dynamic organization that operates with a strong commitment to excellence and innovation in the fields of technology and engineering.



Turnkey
Solutions



Design and
Engineering



Supply and
Installation



Commissioning
and Testing



Training and
Support



Operation and
Maintenance

Our team is composed of highly experienced and multi-disciplinary engineers who bring a wealth of knowledge and expertise to every project. As a leading system integrator, FB GROUP specializes in delivering comprehensive services that help businesses and organizations connect with top-tier vendors, providing reliable and high-quality hardware, software, and professional services.

Vision

To be the trusted partner for businesses and organizations seeking innovative, reliable, and sustainable solutions in engineering, artificial intelligence, automation, energy, and environmental management. We are dedicated to driving progress and delivering exceptional value through our comprehensive suite of services.

FB Group is more than a service provider; we are a partner in your success, working alongside you to turn challenges into opportunities and goals into achievements.

Our Mission

To deliver superior solutions that meet the diverse needs of our clients, ensuring that every project is executed with precision, efficiency, and a focus on long-term success.

Our Objective

To be the leading provider of innovative, sustainable, and integrated engineering solutions in the Middle East, delivering unmatched value to clients across multiple sectors through cutting-edge technology, exceptional service, and a commitment to environmental and social responsibility.

We aim to drive growth and innovation while fostering long-term partnerships and contributing to the sustainable development of the communities and markets we serve.

This objective emphasizes FB GROUP's commitment to leadership in innovation, sustainability, and customer value, while also highlighting its dedication to social and environmental responsibility. It aligns with the group's diverse capabilities and its vision for growth and impact in the region.



FIRAS BALASMEH CORPORATION FOR CONTROL SYSTEMS

FB GROUP

What We Value

- **Innovation**
We are a company that keeps its promises.
- **Integrity**
We exceed customer expectations through continuous improvement in quality, service, productivity and time compression.
- **Excellence**
We provide our people with the tools, training and support to achieve excellence in customer satisfaction.
- **Sustainability**
Which we seek in every element of our business.
- **Collaboration**
We actively recognize the central role we occupy in the structure of society to improve the quality of life and the environment of a broad community.
- **Customer Focus**
Our clients are at the center of everything we do. We listen to their needs, understand their challenges, and tailor our solutions to ensure their success and satisfaction.
- **Continuous Improvement**
We are committed to continuous improvement, always learning, adapting, and evolving to stay ahead in a rapidly changing world, and to deliver the best possible outcomes for our clients.

What We Do

At FB GROUP, we are dedicated to delivering comprehensive, innovative solutions across a wide range of industries, with a focus on engineering excellence, environmental sustainability, and technological advancement. Our services are designed to meet the diverse needs of our clients, ensuring that we provide not only high-quality products but also the expertise and support necessary to achieve success in every project.

1. Engineering Services

We provide end-to-end engineering solutions, including design, consultancy, project management, and implementation. Our multidisciplinary team of engineers specializes in creating custom solutions tailored to the unique requirements of each project, from concept to completion.

2. System Integration

As a leading system integrator, we deliver seamless integration of advanced technologies in control systems, automation, and industrial processes. We ensure that our clients benefit from efficient, reliable, and scalable systems that optimize performance and productivity.

3. Turnkey Projects

We deliver fully integrated turnkey solutions, managing every aspect of a project from initial design and engineering to procurement, construction, commissioning, and operation. Our turnkey approach ensures that projects are completed on time, within budget, and to the highest standards of quality.

4. Training and Support

We provide specialized training programs and ongoing support to ensure our clients have the knowledge and skills needed to operate and maintain their systems effectively. Our training services cover a broad range of disciplines, empowering clients to maximize the value of their investments.



FIRAS BALASMEH CORPORATION FOR CONTROL SYSTEMS FB GROUP

5. Consulting and Advisory Services

Our expert consultants offer strategic advice and technical guidance to help clients complex challenges, optimize operations, and achieve their business objectives. We work closely with clients to develop tailored solutions that address specific industry needs.

6. Supply of High-Quality Products

We source and supply a wide range of high-quality hardware and software products from leading manufacturers around the world. Our product offerings are selected to meet the stringent requirements of our clients, ensuring reliability, performance, and longevity.

7. Environmental and Sustainability Services

Committed to environmental stewardship, we offer services that promote sustainability, including environmental impact assessments, resource management strategies, and implementation of green technologies. Our goal is to help clients achieve their sustainability targets while enhancing operational efficiency.

8. Renewable Energy Solutions

FB Group is at the forefront of the renewable energy sector, offering comprehensive services in the design, installation, and management of solar, wind, and hybrid energy systems. Our commitment to sustainability drives us to provide energy solutions that reduce environmental impact while enhancing energy security.

9. Hydrometric & Environmental Solutions

We specialize in hydrometric monitoring, environmental data management, and consulting services that help our clients manage natural resources responsibly. Our solutions enable accurate measurement and analysis of water resources, air quality, and environmental impact, supporting informed decision-making.

10. Aerospace and Aviation Solutions

We provide cutting-edge Airspace and Aviation Solutions designed to enhance the safety, efficiency, and reliability of aviation operations. Our expertise spans a broad range of services and technologies, ensuring that our clients in the aviation industry can meet the Highest standards of performance and compliance.

1.7 Our Core Business Lines





FIRAS BALASMEH CORPORATION FOR CONTROL SYSTEMS FB GROUP

Certificates , Licenses and Registrations



Contractors Classification Certificate, Grade 2 Electromechanical and Renewable Energy
Ministry of Public Works and Housing



License of Renewable Energy Activities,
Grade A, License no. 1
Energy & Minerals Regulatory
Commission



FIRAS BALASMEH CORPORATION FOR CONTROL SYSTEMS FB GROUP



Registered at SAM; The Official U.S. Federal Government System for Award Management

- Unique Entity ID: JFVJMHH3KAM5

- CAGE/NCAGE Code: AF58X



Registered at UNGM; the procurement portal of the UN System

- Registration Number: 616375

Advantages

- **Diverse Expertise**
Proven capability across multiple sectors, delivering high-quality solutions that outperform competitors.
- **Strong Market Relationships**
Longstanding ties with public and private stakeholders in the Kingdom, built on trust and influence.
- **Financial Strength**
Solid financial foundation supported by strategic partnerships with leading institutions and developers.
- **Trusted Partnerships**
Authorized agents and distributors of reputable manufacturers, ensuring quality and reliability.
- **Reliable Execution**
Consistent delivery on commitments through dependable, long-term client relationships.
- **Innovation-Driven**
Customer-focused solutions designed to exceed expectations.
- **On-Time, On-Budget Delivery**
Established brands delivered precisely to requirements, on schedule and within budget.



RENEWABLE ENERGY SOLUTIONS

‘WE WILL FIND A SOLUTION, OR CREATE ONE’

1. Renewable Energy Solutions

1.1 Introduction

Since 2013, FB GROUP has emerged as a dominant force in the renewable energy sector in Jordan. Our leadership is demonstrated through a robust track record:

- Project Development: Contributing to the development of projects with a combined capacity of 422 MW.
- Iconic Installations: Successfully executing and commissioning 16 MW of landmark solar energy projects.
- Expert Maintenance: Overseeing the operation and maintenance of 19 MW of solar energy systems.

At FB GROUP, we don't just design and deliver renewable energy solutions; we innovate to create optimal systems that guarantee quality and cost-effectiveness for our esteemed clients. Our expertise extends beyond Jordan, as we actively pursue and expand renewable energy opportunities across the MENA region, including key markets in Saudi Arabia, Lebanon, Iraq, and Libya.

Our vision is clear: to be at the forefront of advancing renewable energy in Jordan, collaborating with developers to make sustainable energy projects commercially viable for all stakeholders. We are deeply committed to harnessing the full potential of renewable resources, driving the future of energy for the region.

1.2 Our Solutions

1. Solar Energy



Solar Carports & Parking Canopy Systems



Ground-Mounted Solar Power Plants



Solar Pedestrian Walkway Canopy



RENEWABLE ENERGY SOLUTIONS 'WE WILL FIND A SOLUTION, OR CREATE ONE'



Rooftop Solar Systems



**Commercial Solar Systems
Utility / Megawatt Scale Solar Plants
Hybrid Solar Systems
Off-Grid Solar Systems**



RENEWABLE ENERGY SOLUTIONS

'WE WILL FIND A SOLUTION, OR CREATE ONE'

2. Wind Energy

Utility-Scale Wind Project
Wind Energy Projects (IPP / PPA Based)



3. Energy Storage Batteries

Battery Energy Storage Systems (BESS) for Wind
and solar systems



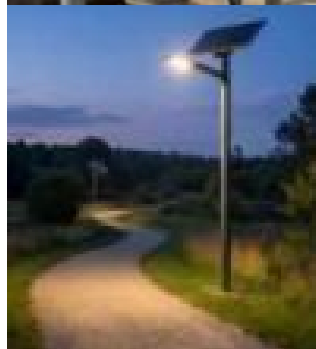
4. Solar Pumping Stations

PV Water Pumping Systems
Solar Pumping for Wells & Groundwater
Solar Pumping Stations for Water Authorities



5. Solar Lighting

On grid Solar Street Lighting Systems for Roads,
Camps & Remote Areas
Standalone (off grid) Solar Lighting systems





RENEWABLE ENERGY SOLUTIONS

'WE WILL FIND A SOLUTION, OR CREATE ONE'

1.3 Our Services



Project
Development



EPC



BOT – Build,
Operate, Transfer



Project
Management



Operation And
Maintenance

- **Project Development**

We develop the project starting from the conceptual stage, study its feasibility, deploy the needed technology, design the project and secure needed financing.

- **EPC**

We have full technical and financial capabilities to provide turnkey solutions and handle the project until final handing over to the clients by our in house resources.

- **BOT – Build, Operate, Transfer**

We finance, design, construct, own, operate and maintain the project up to 10 years through local banks financing (supported by Central Bank of Jordan), and up to 20 years by international financing. Ownership transfers to the client at the end of the contract.

- **Project Management**

Management We have a dedicated in house project management team with experiences in managing projects planning, designing and implementation, of more than 10 - 25 years on personnel's level, and over 12 years on corporation level.

- **Operation and Maintenance**

- Remote Monitoring & Controlling: For the plant components, activities, power generation, performance ratio, specific yield, faults, warnings and error messages, through our advanced and specialized SCADA system.
- Corrective Maintenance: All faults acknowledged by the SCADA monitoring systems or during periodical inspections, promptly checked on site.
- Preventive Maintenance (planned and scheduled): Advance planning of technical activities, related to plant components and surrounding environment, periodically performed according to the best practices, components operations and manufacturer's instructions, environmental, health and Safety laws and all prescriptions applicable to the plant.
 - Planned Visual/Instrumental Checks: Strictly related to plant components visual inspection and checking plant parameters using top market testing equipment.
 - Environmental Operations:
 - Solar modules cleaning: Scheduled cycles using specialized cleaning machines.
 - Weeding: Removal of unwanted plants to avoid shading on the solar modules and loss of efficiency.



RENEWABLE ENERGY SOLUTIONS 'WE WILL FIND A SOLUTION, OR CREATE ONE'

1.4 Testing Equipment



Earth Resistance, Fluke



Pv 200 Kit, Pv Check Ht Instruments
Seaward



Insulation Tester, Hioki



APPA 138



Thermal Imaging Camera,
Fluke



Infrared Thermometer, Fluke



High Voltage Test Set, b2



RENEWABLE ENERGY SOLUTIONS

‘WE WILL FIND A SOLUTION, OR CREATE ONE’

1.5 Our Partners

Jinko Solar – Solar Panels



Jinko Solar, as a global leader in photovoltaic manufacturing, offers a comprehensive portfolio of high-efficiency solar modules designed for residential, commercial, industrial, and utility-scale applications. Its main products include advanced monocrystalline PV modules based on technologies such as TOPCon (N-type), PERC, and bifacial double-glass designs, delivering high power output, excellent low-light performance, and long-term reliability. Jinko modules are engineered for durability in harsh environmental conditions and comply with international quality and safety standards, making them well-suited for large-scale solar power plants and distributed generation projects supplied and integrated by FB GROUP within renewable energy solutions.

JA Solar – Solar Panels



JA Solar is a globally recognized photovoltaic manufacturer offering a wide range of high-performance monocrystalline solar modules suitable for residential, commercial, industrial, and utility-scale applications. Its product portfolio is built on advanced technologies such as PERC, half-cell, multi-busbar, and bifacial double-glass designs delivering high power output, strong energy yield, and excellent reliability. JA Solar modules are designed to perform efficiently under diverse climatic and environmental conditions and comply with international quality and safety standards, making them a reliable supplying partner for FB GROUP’s renewable energy and solar power projects.

Yingli Solar – Solar Panels



Yingli Solar is an established global manufacturer of photovoltaic solutions, offering a range of high-quality monocrystalline and polycrystalline solar modules designed for residential, commercial, industrial, and utility-scale solar applications. Its products feature proven technologies such as PERC, half-cell, and bifacial module designs, ensuring reliable performance, stable power output, and long-term durability. Yingli Solar modules are engineered to withstand challenging environmental conditions and meet international certification standards, making them a dependable supplying partner for FB GROUP in delivering efficient and sustainable solar energy solutions.

SMA – Solar Inverters



SMA is a world-leading manufacturer of advanced solar inverter and energy management solutions for residential, commercial, and utility-scale photovoltaic systems. Its product portfolio includes string inverters, central inverters, hybrid inverters, and intelligent monitoring and control platforms, designed to optimize energy yield, enhance system reliability, and ensure full compliance with international grid codes. SMA solutions are recognized for their high efficiency, long service life, and robust performance in diverse climatic conditions, making them a reliable supplying partner for FB GROUP in delivering high-quality, scalable, and sustainable solar power projects.



RENEWABLE ENERGY SOLUTIONS 'WE WILL FIND A SOLUTION, OR CREATE ONE'

Astroenergy – Solar



Astronergy is a leading global manufacturer of high-efficiency photovoltaic modules, providing advanced solar solutions for residential, commercial, industrial, and utility-scale applications. Its core product portfolio includes the ASTRO series PV modules, featuring n-type TOPCon, mono-crystalline, bifacial, and large-format high-power panels designed to maximize energy yield, improve long-term reliability, and perform consistently in diverse climatic conditions. Supported by intelligent manufacturing, strict quality control, and Tier-1 bankability, Astronergy also offers technical support and supply solutions tailored to large-scale solar projects. These strengths position Astronergy as a reliable and strategic solar panel supplying partner for FB Group in delivering efficient, scalable, and sustainable solar power projects.

SUNGROW – Solar Inverters



Sungrow is a globally leading manufacturer of solar inverter and power conversion solutions for residential, commercial, industrial, and utility-scale photovoltaic systems. Its product portfolio includes string inverters, central inverters, modular inverter solutions, and energy storage systems, designed to deliver high efficiency, grid stability, and long-term operational reliability. Sungrow solutions are engineered to perform under demanding environmental conditions and comply with international grid standards, making Sungrow a dependable supplying partner for FB GROUP in delivering robust, scalable, and high-performance solar energy projects.

Schletter – Mounting Structure



Schletter is a global specialist in solar mounting and racking systems for residential, commercial, industrial, and utility-scale photovoltaic installations. Its product portfolio includes ground-mounted structures, rooftop mounting systems, carport solutions, and customized structural designs, engineered for high mechanical strength, corrosion resistance, and long-term durability. Schletter solutions are designed to ensure fast installation, structural safety, and optimal module positioning, making them a reliable supplying partner for FB GROUP in delivering stable, efficient, and long-lasting solar power projects.



RENEWABLE ENERGY SOLUTIONS 'WE WILL FIND A SOLUTION, OR CREATE ONE'

National Cable & Wire Manufacturing CO. –AC/DC Cables



الشركة الوطنية لصناعة الكابلات والأسلاك الكهربائية م.م.
NATIONAL CABLE & WIRE MANUFACTURING CO.

Cable & Wire Co. Ltd. (CABLECO) is a leading Jordanian manufacturer and supplier of AC and SC power cables for renewable energy, industrial, commercial, and infrastructure applications. Its product portfolio includes low- and medium-voltage power cables, control cables, and specialized electrical cables designed to meet international standards for safety, reliability, and performance. CABLECO cables are engineered for durability and stable power transmission under demanding operating conditions, making them a trusted supplying partner for FB GROUP in delivering reliable and efficient solar power and energy projects.

Gulf Cable & Electrical Ind. CO. K.S.C.P - Medium Voltage Cables



Gulf Cable & Electrical Industries Co. (Gulf Cable) is a leading regional manufacturer of medium-voltage power cables for renewable energy, power transmission, utility, and industrial applications. Its product portfolio includes MV underground cables, XLPE-insulated power cables, and specialized cable solutions designed to ensure high electrical performance, long service life, and compliance with international standards. Gulf Cable products are engineered for reliability under harsh environmental conditions, making Gulf Cable a strong supplying partner for FB GROUP in delivering safe, efficient, and durable medium-voltage power infrastructure for solar and energy projects.

Al Rowad for Electrical Substations – Medium Voltage Substations



Al Rowad Electrical & Mechanical Co. is a regional provider of medium-voltage substation solutions supporting renewable energy, power distribution, and industrial projects. Its portfolio includes prefabricated and conventional MV substations, switchgear assemblies, transformers, protection and control systems, designed to ensure safe power distribution, operational reliability, and compliance with international standards. Al Rowad solutions are engineered for robust performance and efficient integration, making them a reliable supplying partner for FB GROUP in delivering complete and dependable medium-voltage substation solutions for solar and energy infrastructure projects.



RENEWABLE ENERGY SOLUTIONS

‘WE WILL FIND A SOLUTION, OR CREATE ONE’

OPTO 22 – Automation made simple – SCADA Systems

OPTO 22

Automation made simple.

FB GROUP has been serving as the regional office since 2010, operating as a system integrator and solution provider delivering engineering, supply, integration, commissioning, and long-term support services across renewable energy, power and energy, industrial automation, and environmental solutions. With a strong regional presence and a multidisciplinary engineering team, FB GROUP ensures effective representation of its supplying partners, localized technical support, and successful execution of projects in compliance with international standards.

MM Spray – Cleaning Machines



MM Srl (MMspray) is a specialized manufacturer of professional cleaning and washing machines serving solar energy, industrial, and infrastructure applications. Its product portfolio includes high-efficiency cleaning systems for photovoltaic panels, automated and manual washing equipment, and customized cleaning solutions designed to improve system performance and reduce maintenance costs. MMspray solutions are engineered for durability, water efficiency, and effective operation in harsh environments, making them a reliable supplying partner for FB GROUP. FB GROUP has been the authorized distributor in Jordan since 2017, providing local supply, technical support, and after-sales services for cleaning and maintenance solutions.



RENEWABLE ENERGY SOLUTIONS

'WE WILL FIND A SOLUTION, OR CREATE ONE'

1.6 Ionic Projects



5 MW PV PLANT – HASHEMITE UNIVERSITY



3 MW PV PLANT – AL HUSSEIN BIN TALAL UNIVERSITY



1.1 MW PV PLANT – CIVIL DEFENSE DIRECTORATE



RENEWABLE ENERGY SOLUTIONS 'WE WILL FIND A SOLUTION, OR CREATE ONE'



2.11 MW PV PLANT – GERMAN JORDANIAN UNIVERSITY



0.804 MW PV PLANT – IRBID SPECIALITY HOSPITAL



RENEWABLE ENERGY SOLUTIONS 'WE WILL FIND A SOLUTION, OR CREATE ONE'



1.75 MW PV PLANT – AMAZON WAREHOUSE, JEDDAH – KSA



1.4 MW PV PLANT – IKK GLASS FACTORY, JEDDAH – KSA

1.7 Awards

AWARDED PROJECTS 5 MW, Hashemite University



The Order of Independence of the First Class,
May 2016



The Emirates Energy Gold Award for Large
Energy Projects, Supreme Council of Energy in
Dubai, 2017.



2.11 MW, German Jordanian University
The Emirates Energy Silver Award for Large
Energy Projects, Supreme Council of Energy in
Dubai, 2022.



The Middle East's 100 Most Powerful and
Influential Solar Industry Business Leaders, by
Solar Quarter, 2021



RENEWABLE ENERGY SOLUTIONS 'WE WILL FIND A SOLUTION, OR CREATE ONE'



Business Leader of the Year, by Solar Quarter.
Leadership Summit Middle East, 2022



Best Performing Project of the Year – Solar Plant
(Utility), by Solar Quarter.
Solar Assets Leadership Middle East Awards,
2022



Solar Award for CSR Program of the Year, by MESIA "Middle East Solar Industry Association", 2022



RENEWABLE ENERGY SOLUTIONS

‘WE WILL FIND A SOLUTION, OR CREATE ONE’

1.8 References

Experience in Projects Development

Client / Project	Capacity	Position	Agreement	Status
Renewable Energy Project Development Office, NERP, KSA IPP Projects, Round 4	1500 MW, solar	Consortium member, up to 30% share	PPA	Pre-qualified
Renewable Energy Project Development Office, NERP, KSA IPP Projects, Round 3	1200 MW, solar	Consortium member, up to 30% share	PPA	Pre-qualified
Renewable Energy Project Development Office, NERP, KSA IPP Projects, Round 2	1500 MW, solar	Consortium member, 30% share	PPA	Pre-qualified
Rural Areas Electricity Company, 11 Sites, Oman	42 MW, Solar	Technology Partner, Consortium Member	IPP	Expression of Interest
Jordan Armed Forces Aqaba, Jordan	100 MW, solar	Consortium member, 15% share	PPA	Prequalified, Project cancelled after submission for bidding
Ministry of Energy & Mineral Resources Investment Opportunities in Renewable Energy Projects - Stage 3	50 MW, Wind	Consortium member, 40% share	PPA with Government of Jordan	Pre-qualified
Al Hussein Bin Talal University, Ma'an	20 MW, Solar	Developer, 20% share	PPA with MEMR BOT (20 yrs)	Awarded in February 2016
Ministry of Energy & Mineral Resources Investment Opportunities in Renewable Energy Projects - Stage 2, Jordan	50 MW, Solar	Developer partner, 18% share	PPA	Pre-qualified
Ministry of Energy & Mineral Resources Investment Opportunities in Renewable Energy Projects - Stage 1, Jordan	45 MW, wind	Local Partner of the Developer	PPA	Awarded in 2016



RENEWABLE ENERGY SOLUTIONS

‘WE WILL FIND A SOLUTION, OR CREATE ONE’

Under Execution

Client	Capacity	Mounting System	Agreement Type	Connection	COD
World Food Program, Amman	189 kWp, Solar	Car ports	O&M, 1 yr	Net Metering	September 2017

Projects Executed and Handed Over Since 2013 up to Date (Megawatt Scale)

Client	Capacity	Mounting System	Agreement Type	Connection	COD
Amazon Distribution Hub, Jeddah - KSA	1.75 MW _p , Solar	Rooftop	EPC	Net Metering	
Isam Khairy Kabbani Glass Works Co., Jeddah - KSA	1.4058 MW _p	Rooftop	EPC	Net Metering	
Irbid Specialized Hospital, Irbid	0.804 MW _p , Solar	Carports, Canopies & Rooftops	EPC	Net Metering	October 2017
German Jordan University, Madaba	2.11 MW _p , Solar	Carports, Canopies & Rooftops	EPC	Net Metering	October 2017
Civil Defense Directorate, Al Tafila	1.13 MW _p , Solar	Ground Mounted	BOT (43 mth)	Wheeling	September 2017
Al Hussein Bin Talal University, Ma'an	3 MW _p , Solar	Ground Mounted	BOT (10 yrs)	Net Metering	June 2017
Hashemite University, Az Zarq	5.063 MW _p , Solar	Ground Mounted, Carports & Canopies	EPC	Net Metering	June 2016
Private Resident, Dabouq	5.65 KWp	Rooftop	EPC	Net Metering	September 2020
Private Omoush Villa, Amman	3.08 KWp	Rooftop	EPC	Net Metering	August 2020
Private Resident Extension - villa, Assalt	3.78 KWP, Solar	Rooftop	EPC	Net Metering	February 2019
Private Resident Extension - villa, Amman	1.89 KWP, Solar	Rooftop	EPC	Net Metering	February 2019



RENEWABLE ENERGY SOLUTIONS 'WE WILL FIND A SOLUTION, OR CREATE ONE'

Private Resident - villa, Amman	4.73 KW _p , Solar	Rooftop	EPC	Net Metering	January 2019
Ramadan Mosque, Amman	22.68 KW _p , Solar	Rooftop	EPC	Net Metering	March 2018
Private Resident - villa, Irbid	9.45 KW _p , Solar	Rooftop	EPC	Net Metering	November 2017
Jumha Mosque, Irbid	13.23 KW _p , Solar	Rooftop	EPC	Net Metering	September 2017
Private Resident - villa, Amman	9.45 KW _p , Solar	Rooftop	EPC	Net Metering	August 2017
Private Resident - villa, Amman	22.05 KW _p , Solar	Rooftop	EPC	Net Metering	February 2017
Ministry of Energy & Mineral Resources, Amman	35 KW _p , Solar	Rooftop	EPC	Net Metering	April 2015
Water Authority of Jordan, Amman	PV Water Pumping Station	-----	EPC	-----	July 2014
Ministry of Education - Swefieh Girls School, Amman	4 KW _p	Rooftop	EPC	Net Metering	2013

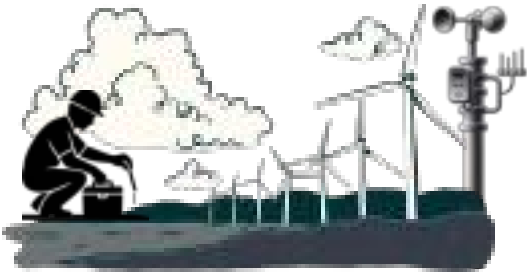


RENEWABLE ENERGY SOLUTIONS

‘WE WILL FIND A SOLUTION, OR CREATE ONE’

Operation and Maintenance Projects (Executed)

Client	Capacity (Solar)	Mounting System	Connection	O&M Period	End of O&M
World Food Program, Amman	189 kWp, Solar	Carports	4 Years	Net Metering	----
Aal Al Bait University, Mafrqa	3 MW, Solar	Ground Mounted	2 Years	Net Metering	----
UNHCR, Backup contract	5 MW	Ground Mounted	2 years	Wheeling	----
Ramadan Mosque, Amman	22.68 KWP	Rooftop	1 Year	Net Metering	March 2018
Private Resident - villa, Irbid	9.45 KWP	Rooftop	1 Year	Net Metering	November 2017
Jumha Mosque, Irbid	13.23 KWP	Rooftop	1 Year	Net Metering	September 2017
Private Resident - villa, Amman	9.45 KWP	Rooftop	1 Year	Net Metering	August 2017
Private Resident - villa, Amman	22.05 KWP	Rooftop	1 Year	Net Metering	February 2017
Irbid Specialized Hospital, Irbid	0.804 MWP	Carports, Canopies & Rooftops	3 Years	Net Metering	October 2017
German Jordanian University, Madaba	2.11 MWP	Carports, Canopies & Rooftops	5 Years	Net Metering	October 2017
Civil Defense Directorate, Al Tafila	1.13 MWP	Ground Mounted	5 Years	Wheeling	September 2017
Al Hussein Bin Talal University, Ma'an	3 MWP	Ground Mounted	10 Years	Net Metering	June 2017
Hashemite University, Az Zarqa	5.063 MWP	Ground Mounted, Carports & Canopies	3 Years	Net Metering	June 2016
Ministry of Energy & Mineral Resources, Amman	35 KWP	Rooftop	2 Years	Net Metering	April 2015
Water Authority of Jordan, Amman	PV Water Pumping Station	-----	1 Year	-----	July 2014
Ministry of Education - Swefieh Girls School, Amman	4 KWP	Rooftop	1 Year	Net Metering	2013



HYDROMETRIC & ENVIRONMENTAL SOLUTIONS 'WE WILL FIND A SOLUTION, OR CREATE ONE'

2. Hydrometric & Environmental Solutions

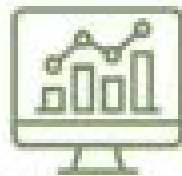
2.1 Introduction

FB Group is a leading provider of Hydrometric & Environmental Solutions, dedicated to delivering innovative and sustainable services that address the critical challenges of water management, environmental monitoring, and ecological preservation. With a deep commitment to advancing environmental stewardship, FB GROUP leverages cutting-edge technology and expertise to offer comprehensive solutions that support informed decision-making and sustainable development.



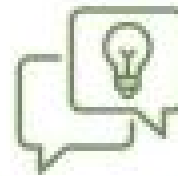
Hydrometric & Environmental Monitoring

Advanced systems for measuring and analyzing water levels, flow, and quality. Integrated systems tracking air quality, soil conditions, and biodiversity to ensure regulatory compliance and promote sustainable practices.



Data Management & Analysis

Utilizing sophisticated data management platforms for real-time data collection, analysis, and reporting, enabling clients to make informed decisions based on accurate and timely environmental data.



Consulting & Advisory Services

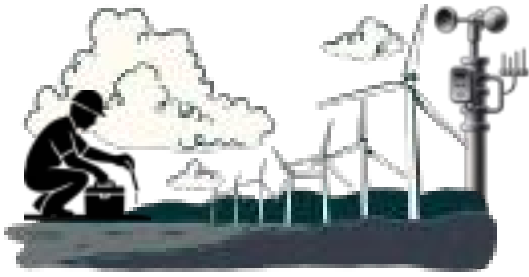
Providing expert guidance through the complexities of environmental regulations, impact assessments, and sustainable development strategies to help clients achieve their sustainability goals.

Our solutions are designed to meet the unique needs of diverse sectors, including government agencies, industrial operators, and environmental organizations. By combining technical expertise with a deep understanding of environmental challenges, FB GROUP is committed to helping clients achieve their sustainability goals and contribute to the protection of our planet's vital natural resources.

Since 2011, FB GROUP has established itself as a leading force in Jordan's hydrometric and environmental sector, renowned for its extensive portfolio of successful projects and strong partnerships with key stakeholders. Our distinguished clients include the Ministry of Water and Irrigation, the Water Authority of Jordan, numerous public universities, and prominent national and international agricultural, environmental, and water research centers.

FB GROUP is committed to delivering high-quality, performance-driven solutions for the remote measurement and monitoring of water and environmental parameters. Our expertise extends to air quality and Odor monitoring systems, along with advanced analyzers for water, air, soil, and food. We cater to a wide range of industries and applications, including agricultural systems, meteorological networks, water resource management, and industrial processes.

Our integrated solutions are designed to meet the highest standards of accuracy and reliability, ensuring that our clients can make informed decisions based on real-time data and comprehensive environmental insights. As a trusted partner in Jordan's environmental landscape, FB GROUP continues to innovate and expand its offerings to address the evolving needs of our clients and contribute to sustainable development across the region.



HYDROMETRIC & ENVIRONMENTAL SOLUTIONS 'WE WILL FIND A SOLUTION, OR CREATE ONE'

2.2 Partners

PICARRO

PICARRO – USA

FB GROUP has been the authorized reseller of Picarro in Jordan since 2016. Picarro is a US-based technology leader specializing in high-precision instruments and solutions for measuring greenhouse gases, trace gases, and stable isotopes across air, water, and soil applications. Its core offerings include advanced gas monitoring systems, emissions measurement and reduction solutions, leak detection for the natural gas industry, environmental and industrial monitoring tools, mobile and handheld analyzers, regulatory compliance support, and comprehensive service, training, and support solutions serving environmental, energy, semiconductor, and scientific research sectors.

SCENTROID

Scentroid – Canada

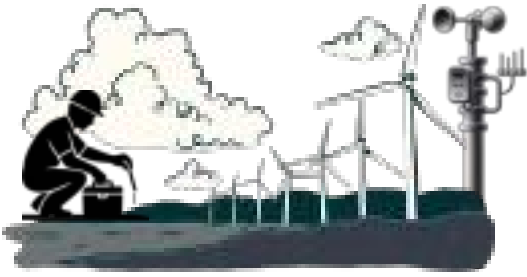
FB GROUP has been the sole agent for Scentroid in Jordan since 2018. Scentroid is a global leader in air pollution and odour measurement technologies, specializing in the design and manufacture of advanced instrumentation for environmental, industrial, nuclear, and medical applications. Its core portfolio includes chemical analyzers, olfactometers, samplers, software, and accessories, supported by comprehensive services such as environmental odour impact assessment, emissions inventory, hazardous environment monitoring, leak detection, occupational exposure evaluation, regulatory advisory, equipment rental, and sector-specific solutions across oil & gas, wastewater, waste management, manufacturing, agriculture, and research facilities.

KISTERS

Empowering decisions of tomorrow

KISTERS – Germany

FB GROUP has been the distributor of KISTERS in Jordan and the Gulf countries since 2024. Founded in 1963, KISTERS is a global provider of environmental data management and IT solutions, supporting the sustainable management of water, energy, air, and natural resources. Its core portfolio includes environmental monitoring hardware for meteorology, water level, flow, quality, groundwater, and agriculture, combined with advanced software solutions such as KISTERS Datasphere, iLink, HydroTel telemetry systems, and HyComm for data acquisition, early warning, reporting, and emergency management applications.



HYDROMETRIC & ENVIROMENTAL SOLUTIONS 'WE WILL FIND A SOLUTION, OR CREATE ONE'

Atek Alfa

A TEK Sensor Technology – Turkey

FB GROUP has been an authorized partner for ATEK Sensor Technology in Jordan since 2025. ATEK Sensor Technology is a leading manufacturer of industrial and environmental measurement solutions, delivering high-precision sensing technologies for hydrometric, environmental, water, energy, and industrial applications. Its core product portfolio includes sensors and systems for pressure, level, temperature, flow, linear and rotary measurement, speed and motion, inclination and seismic monitoring, proximity and laser distance sensing, as well as signal conditioning, displays, counters, connectors, and related accessories designed for reliable data acquisition and long-term performance in demanding field environments.



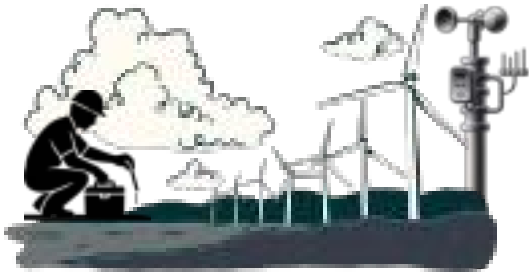
Beijing Zetron Technology Co – China

FB GROUP has been an authorized partner for Beijing Zetron Technology Co., Ltd in Jordan since 2025. Beijing Zetron Technology Co., Ltd is a specialized provider of gas detection, air quality monitoring, and environmental safety solutions, delivering advanced technologies for industrial and environmental applications. Its core portfolio includes portable and fixed gas detectors, gas analyzers, natural gas and HVAC monitoring equipment, pharmaceutical and food safety monitoring systems, and integrated air quality monitoring solutions, supporting environmental protection, municipal engineering, energy and chemical industries, and workplace safety through accurate hazard detection and reliable data acquisition.



Tianjin Union Valve Co., Ltd – China

FB GROUP has been an authorized partner for Tianjin Union Valve Co., Ltd in Jordan since 2025. Tianjin Union Valve Co., Ltd is a reputable manufacturer of industrial valve and flow control solutions, delivering certified products for water, wastewater, energy, industrial, and environmental applications. Its core portfolio includes butterfly, gate, ball, check, and globe valves, Y strainers, rubber expansion joints, and flanges, all designed to ensure reliable fluid control, long-term durability, and compliance with international standards in demanding operating environments.



HYDROMETRIC & ENVIRONMENTAL SOLUTIONS

'WE WILL FIND A SOLUTION, OR CREATE ONE'

2.3 Our Solutions

WATER MONITORING SOLUTIONS	AIR & ATMOSPHERIC MONITORING	ANALYSIS & DATA SYSTEMS	CORE COMPONENTS & EQUIPMENT
 <p>Groundwater Monitoring Equipment for monitoring subsurface water resources.</p>	 <p>Meteorological Systems Instruments for collecting weather and climate data.</p>	 <p>Water, Soil, and Flood Analysis Integrated devices for comprehensive sample analysis.</p>	 <p>Control Valves Essential components for managing fluid flow in monitoring systems.</p>
 <p>Water Quality Analysis Tools to measure chemical, physical, and biological characteristics of water.</p>	 <p>Air Quality & Odor Monitors Analyzers for detecting pollutants and nuisance odors in the ambient air.</p>	 <p>Analytical & Lab Sampling Equipment Range of tools for precise laboratory sample collection and preparation.</p>	 <p>Data Loggers & Acquisition Systems that automatically collect, store, and retrieve sensor data.</p>
 <p>Water Level Measurement Sensors and systems for tracking water level variations.</p>	 <p>Offactometers Specialized equipment for sensory analysis and measurement of odor concentration.</p>	 <p>Bundled Systems Pre-configured, integrated packages for turnkey monitoring projects.</p>	 <p>Pumping Units Reliable pumps for sample extraction and fluid transfer applications.</p>
 <p>Water Flow Meters Devices to accurately measure the rate of water movement.</p>			

2.4 IT and Software Solutions

- Chart Digitization:**
Digitize your paper charts and gain valuable insights into historical data whilst saving resources for storage.
- Remote Hosting:**
Focus on the data as we operate and maintain the data infrastructure.
- Data Management and Reporting:**
Collect, manage, and process environmental data for reporting and informed decision making.
- Telemetry and Data Acquisition:**
Efficient data transfer from any sensor or remote data sources to your data management system.
- Publishing and Notifications:**
Smart software solutions that offer sharable data and can alert anyone you want when action is needed.
- Cloud Solutions for Monitoring and Warning:**
A faster and more efficient way to gain access to your data whilst staying alert and up to date.
- Advanced Analytics and Decision Support:**
Intelligence, guidance, valuable and timely insights from your data.



HYDROMETRIC & ENVIROMENTAL SOLUTIONS

'WE WILL FIND A SOLUTION, OR CREATE ONE'

2.5 Ionic Projects



**Ground Water Station Mahasi,
Al-Ramtha TeWaRON 3**



**Rain Fall Station Wadi Mousa School
TeWaRON 3**



**Ground Water Station Wadi Al Walah,
Madaba, TeWaRON 2**



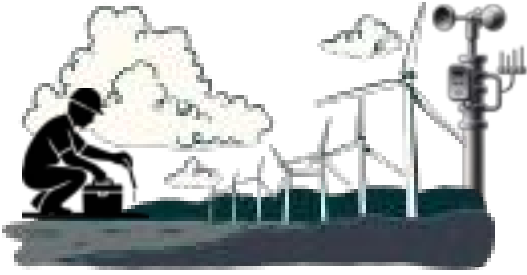
**Water Quality Station Red Sea,
Tabuk University, KSA**



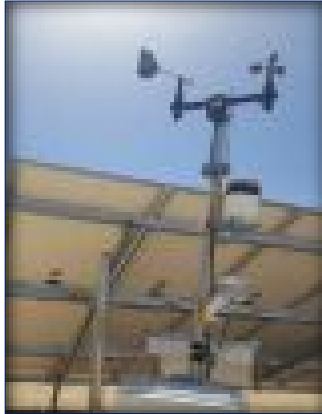
**Automatic Weather Station,
University of Jordan, Amman**



**Isotopic CO₂ System $\delta^{13}C$ Analyzer
Water Authority of Jordan –
Labs & Quality Affairs**



HYRDOMETRIC & ENVIROMENTAL SOLUTIONS 'WE WILL FIND A SOLUTION, OR CREATE ONE'



**Automatic Weather Station
Al Hussein Bin Talal University, Ma'an
Integrated with 3 MW
Solar Energy Plant**

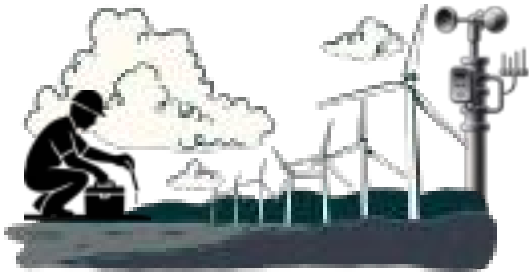


**Automatic Weather Station
German Jordanian University, Madaba
Integrated with 2.11 MW Solar Energy Plant**



**Automatic Weather Station - Hashemite University, Az-Zarqa
Integrated with 5 MW Solar Energy Plant**



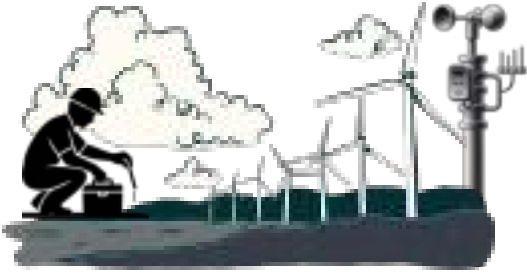


HYRDOMETRIC & ENVIROMENTAL SOLUTIONS

'WE WILL FIND A SOLUTION, OR CREATE ONE'

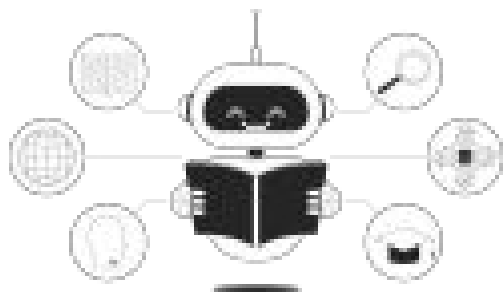
2.8 References

Client	Project
Jordan Water Company (Miyahuna)	Supply of Hydrostatic liquid level meter
Jordan Water Company (Miyahuna)	Supply of Gate Valves
Water Authority of Jordan	Spare Parts for the Water Analysis Equipment, 13C analysis. >> Supply, installation, and commissioning.
Jordan Atomic Energy Commission	Weather station, air quality station, off-grid power plant and diesel generator, located at Amra Palace >> Operation and Maintenance
Water Authority of Jordan, Laboratories & Quality Bureau	Water Analysis Equipment, 13C analysis in DIC (liquids) and carbonates (solids) >> Operation and maintenance.
University of Jordan	Automatic Weather Station (Water, Energy and Environment Center) >> Operation and maintenance
Yanbu National Petrochemicals Company, KSA	Automatic Weather Station >> Supplying, installation, and commissioning
University of Jordan	Automatic Weather Station (Water, Energy, and Environment Center) >> Operation and maintenance
Ministry of Water and Irrigation	Telemetric Water Resources Observation Network; >> Operation and maintenance of 145 stations
Al Hussien Technical University	Automatic Weather Station for Research Purposes - Donation >> Supplying, installation, commissioning, operation, and maintenance
Irbid Specialized Hospital	Automatic Weather Station - Integrated with 0.80 MWp solar power plant >> Supplying, installation, commissioning, operation and maintenance
Civil Defense Directorate	Automatic Weather Station - Integrated with 1.1 MWp solar power plant >> Supplying, installation, commissioning, operation and maintenance
German Jordanian University	Automatic Weather Station - Integrated with 2.11 MWp solar power plant >> Supplying, installation, commissioning, operation and maintenance
Al Hussien Bin Talal University	Automatic Weather Station - Integrated with 3 MWp solar power plant >> Supplying, installation and commissioning
International Center for Agricultural Researches in Dry Area, Egypt	Simultaneous Conductivity Magnetic Susceptibility Meter
Hashemite University	2 Automatic Weather Stations - Integrated with 5 MW solar power plant >> Supplying, installation, commissioning, operation and maintenance
Ministry of Water and Irrigation	Telemetric Water Resources Observation Network; >> Operation and maintenance of 130 stations
Water Authority of Jordan, Laboratories & Quality Bureau	Water Analysis Equipment, 13C analysis in DIC (liquids) and carbonates (solids) >> Supplying, installation, commissioning, operation and maintenance & training
The University of Jordan	Automatic Weather Station (Program of MSc in Climatic Environment) >> Supplying, installation, commissioning, operation and maintenance
Water Authority of Jordan	PV Water Pumping System
International Center for Agriculture Researches in Dry Area, Jordan	Automatic Weather Station >> Supplying, installation, commissioning, operation and maintenance
Yarmouk University	Wireless Sensor Network Components for Soil & Automatic Irrigation >> Supplying, installation, commissioning, operation and maintenance
Tabuk University - KSA, Sensor Networks and Cellular System (SNCS) Research Center	Water Quality Station, Phase 2
The University of Jordan	Automatic Weather Station (Water, Energy and Environment Center) >> Supplying, installation, commissioning, operation and maintenance



HYRDOMETRIC & ENVIROMENTAL SOLUTIONS 'WE WILL FIND A SOLUTION, OR CREATE ONE'

Client	Project
Tabuk University - KSA, Sensor Networks and Cellular System (SNCS) Research Center	Water Quality Station, Phase 1
Ministry of Water & Irrigation	Telemetric Water Resources Observation Network, Phase 3; >> Supplying, installation, commissioning, operation and maintenance of 30 stations
Ministry of Water & Irrigation	Telemetric Water Resources Observation Network; >> Operation and maintenance of 105 stations
BGR - Ministry of Water & Irrigation	11 stations at Al Disi (Ground water, supplied by OTT) >> Operation and maintenance.
Ministry of Water & Irrigation	Telemetric Water Resources Observation Network, Phase 2; >> Supplying, installation, commissioning, operation and maintenance of 35 stations



AI & CYBERSECURITY SOLUTIONS WE WILL FIND A SOLUTION, OR CREATE ONE'

3. AI & Cybersecurity

3.1 Introduction

Artificial Intelligence Unit is the first Jordanian company – and among the earliest in the Middle East – to design, engineer, and deploy fully integrated artificial intelligence solutions in compliance with international standards, national data-sovereignty frameworks, and enterprise-grade engineering practices. The Unit stands as a regional pioneer, demonstrating that world-class AI systems can be developed in Jordan by Jordanian expertise.

The Artificial Intelligence Unit specializes in engineering advanced AI platforms and applications that enable governments, armed forces, educational institutions, and public and private sector organizations to transition toward intelligent, secure, and data-driven ecosystems. Our solutions are designed to deliver measurable impact by combining machine learning, predictive analytics, automation, and secure data architectures within nationally compliant frameworks.

The Unit's flagship solutions include AI-driven educational systems such as SmartClass, advanced psychometric assessment and training platforms including SaiTest and PsyMaster, intelligent automation and robotics solutions for civil and military applications, AI-enabled drone and smart vehicle systems, and innovative cybersecurity and data-protection technologies. In addition, the Unit has developed the region's first Jordan-built personalized learning engine, reinforcing its leadership in localized, sovereign AI innovation.

Through its comprehensive portfolio – spanning education, training and development, automation and robotics, cybersecurity, enterprise AI tools, and professional AI capacity building – the Artificial Intelligence Unit delivers scalable, secure, and future-ready solutions that enhance productivity, operational efficiency, and strategic decision-making across critical sectors.

3.2 What We Do

The AI & Cybersecurity Unit delivers secure, scalable, and intelligent solutions that support digital transformation and operational excellence across key sectors:

Education and Training

- AI-driven education and training solutions that enhance learning outcomes, workforce readiness, and institutional performance.

Sustainable Development

- AI-powered solutions supporting human capital development, productivity improvement, and data-driven planning aligned with national sustainability goals.

Defense

- Advanced AI solutions for defense and security applications, supporting analysis, training, automation, and secure decision-making environments.

Technology and Innovation

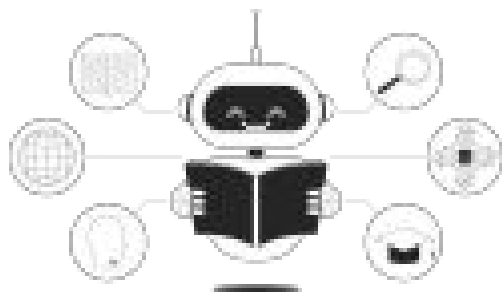
- Application of advanced artificial intelligence technologies to modernize systems, drive innovation, and enable future-ready digital capabilities.

Automation and Business Intelligence

- AI-based automation and analytics solutions that optimize processes, improve efficiency, and support data-driven decision-making.

Technological Integration

- End-to-end integration of AI and cybersecurity solutions with existing systems, ensuring interoperability, scalability, and compliance.



AI & CYBERSECURITY SOLUTIONS WE WILL FIND A SOLUTION, OR CREATE ONE'

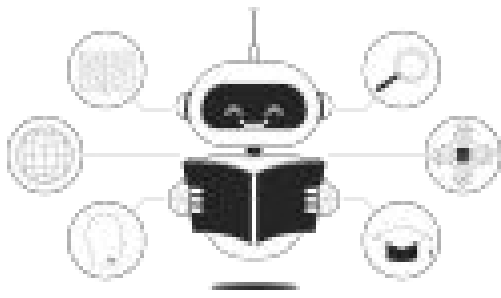
3.3 Our Solutions



1. Solutions for People and Learning



- Educational Solutions**
 AI-driven educational solutions that support personalized learning, performance monitoring, and data-driven academic decision-making for schools and universities.
- Training and Development Solutions**
 Advanced AI-based assessment and training solutions designed to enhance skills development, workforce readiness, and institutional performance across public, private, and defense sectors.
- Professional Training on the Use of AI Tools**
 Specialized training programs for beginners, intermediate, and advanced users, based on practical applications of artificial intelligence tools and models, including large language models, across various sectors.
- IoT and sensor integration solutions**
 Our company provides advanced IoT and sensor integration solutions that enable real-time monitoring, intelligent data collection, and seamless connectivity across industrial and smart environments. By combining reliable sensor technologies with scalable IoT platforms, we help organizations optimize operational efficiency, enhance predictive maintenance, and support data-driven decision-making. Our solutions are designed for flexibility, security, and easy integration with existing systems, ensuring sustainable digital transformation and improved performance across diverse applications.



AI & CYBERSECURITY SOLUTIONS WE WILL FIND A SOLUTION, OR CREATE ONE'

2. Solutions for Technology and Business



- **3D UAV Training & Maintenance Ecosystem**

Category: Automation and Robotics Solutions – AI-Supported Maintenance & Drone Systems

A sovereign-grade, mission-oriented digital training and readiness ecosystem engineered specifically for Unmanned Aerial Systems (UAS). This solution transforms traditional drone education into a high-fidelity, interactive experience by integrating 3D Digital Twins with Context-Aware AI Instructors. Designed for military and defense sectors, the platform offers advanced visualization modes—including X-Ray and Electrical Isolation—to standardize maintenance doctrines, accelerate operator qualification cycles, and enhance operational readiness. By leveraging Retrieval-Augmented Generation (RAG) and Binary Delta Updates, the system ensures secure, offline-capable training in field environments, providing a strategic foundation for institutional knowledge preservation and digital sovereignty.

- **Cyber security and Data Protection Solutions**

Innovative, modern cybersecurity solutions designed to protect institutional and individual data, ensuring confidentiality, integrity, and compliance with national and international standards.

- **AI Solutions for Advanced Businesses and Projects**

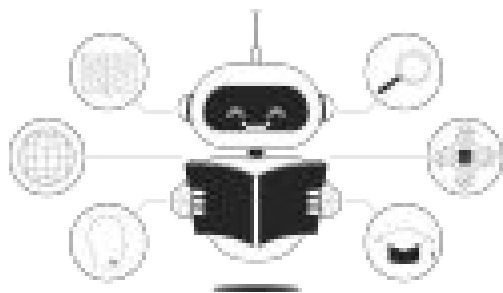
AI-powered solutions for human resources and administrative functions, aimed at accelerating operations, improving productivity, and enhancing organizational competitiveness.

- **Robotic Process Automation (RPA) Services**

We provide Robotic Process Automation (RPA) solutions that streamline repetitive, rule-based business processes and improve operational efficiency. By automating tasks such as data entry, file handling, reporting, and system integrations, we help organizations reduce errors, save time, and focus their resources on higher-value activities. Our RPA services are designed to integrate seamlessly with existing systems, delivering scalable, reliable, and cost-effective automation tailored to business needs.

- **Autonomous AI Workforce Solutions**

Development and deployment of specialized, high-fidelity AI agents designed to function as an intelligent digital workforce. Unlike traditional automation, these autonomous agents possess reasoning capabilities to execute complex, role-specific professional tasks—such as market research, analysis, and regulatory compliance—with minimal human intervention. Our solutions ensure 24/7 operational continuity, strict data security, and seamless integration with existing enterprise communication platforms to enhance decision-making and organizational agility.



AI & CYBERSECURITY SOLUTIONS WE WILL FIND A SOLUTION, OR CREATE ONE'

3.4 Our Projects

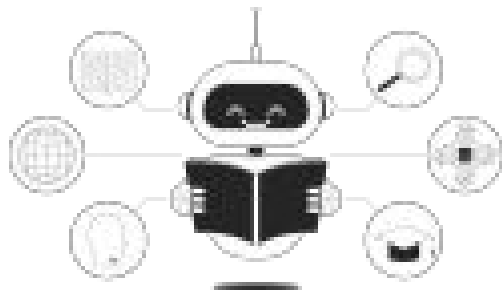
1. Educational Project – SmartClass Application

SmartClass is an advanced, AI-driven educational platform designed to transform teaching and learning experiences across public and private schools in Jordan. The platform leverages artificial intelligence to deliver hyper-personalized learning pathways while enabling structured and secure collaboration among students, educators, administrators, and parents. SmartClass is fully aligned with Jordan's educational priorities, cultural values, and national regulatory frameworks, ensuring compliance while driving measurable improvements in academic performance and institutional excellence.



The SmartClass ecosystem is composed of specialized, role-based modules that address the needs of all stakeholders within the educational process:

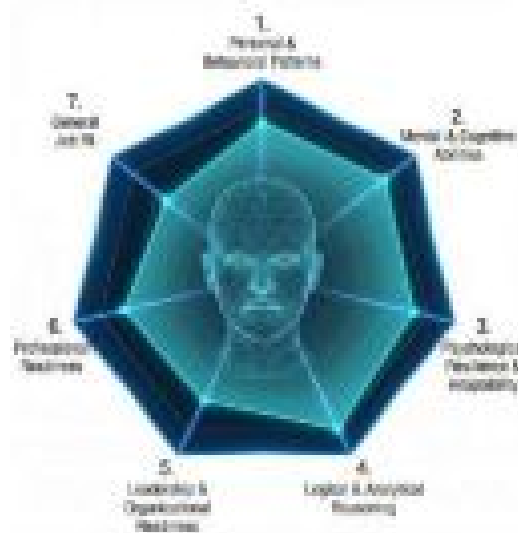
- **SmartClass for Teachers**
Provides an intelligent teacher dashboard offering performance analytics across cognitive, psychomotor, and affective learning domains. The platform supports lesson planning, assessment creation, differentiated instruction, and the integration of Jordanian cultural values into pedagogical practices, enabling teachers to make data-driven instructional decisions.
- **SmartClass for Students**
Delivers curated lesson plans, interactive learning modules, and gamified educational activities tailored to each student's real-time proficiency level. The system continuously adapts content and assessments to support mastery, engagement, and individual learning progress.
- **SmartClass for Managers**
Offers institution-wide dashboards for performance benchmarking, teacher effectiveness analysis, and strategic academic planning. School and university management can use data-driven insights to improve institutional performance, allocate resources efficiently, and enhance educational outcomes.
- **SmartClass for Parents**
Enables transparent tracking of student progress through personalized dashboards. Parents receive tailored engagement recommendations and collaborative tools that strengthen communication with educators and support learner development at home.



AI & CYBERSECURITY SOLUTIONS WE WILL FIND A SOLUTION, OR CREATE ONE'

2. SaiTest – The Revealed Potential

SaiTest is an AI-psychometric assessment and personalized learning solution designed to analyze standardized psychometric tests, including MBTI, Big Five, and learning styles. The platform uses artificial intelligence algorithms to measure multiple dimensions such as personality types, multiple intelligences, memory, attention, creativity, cognitive abilities, emotional intelligence, psychological and behavioral patterns, leadership traits, decision-making abilities, and work-situation handling.

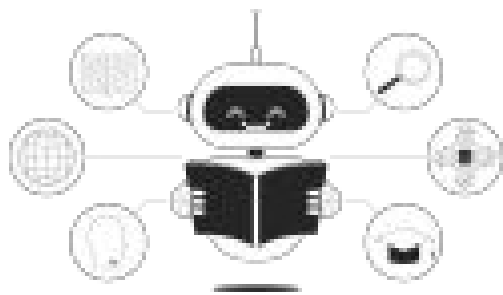


The solution includes an adaptive training platform that delivers personalized learning pathways which dynamically adjust according to user characteristics and skill levels. The platform offers scalable and modifiable training tracks, including Self-Confidence, Relationship Strengthening, and Professional Success, with training modules covering confidence building, emotional intelligence, communication, leadership, time management, conflict resolution, negotiation, strategic thinking, and stress management.

3. Sustainable Development Solutions – Istdama AI Platform

The Istdama AI Platform is a Sustainable Development Program presented by FB group. The program aims to revolutionize skills and personal attribute assessment methodologies and the design of training pathways in Jordan. It targets school and university students, as well as employees in the public, private, and military sectors. The program leverages two core AI-driven platforms to shift training approaches from traditional gap-filling models toward building essential behavioral and skill competencies. This approach focuses on developing qualified individuals capable of leading the future, emphasizing creativity and practical capabilities rather than reliance on academic certificates alone.





AI & CYBERSECURITY SOLUTIONS WE WILL FIND A SOLUTION, OR CREATE ONE'

4. GHRS – Greenhouse Rover System

The GHRS (Green House Rover System) is an autonomous agricultural robot designed to support precision agriculture within greenhouse environments. The system was developed to address key challenges in controlled-environment farming, including early detection of plant diseases, continuous crop health monitoring, and autonomous navigation without human intervention.



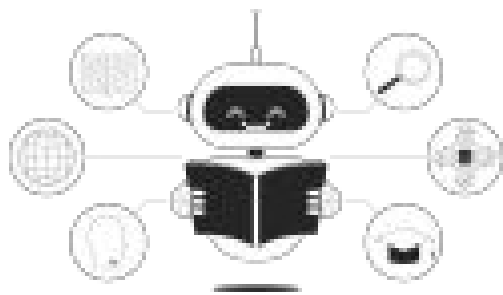
GHRS is a mobile, self-driving robotic platform utilizing a differential drive system

with four motors, capable of operating in manual, semi-autonomous, and fully autonomous modes. The robot navigates greenhouse environments using a combination of SLAM-based mapping and path planning, supported by LiDAR, IMU, depth-sensing, and visual cameras to enable accurate localization, obstacle avoidance, and movement in dynamic conditions.

The system follows a structured operational pipeline consisting of environmental sensing, data processing, and actuation. Sensor data is collected through LiDAR, IMU, depth sensors, GPS, and cameras, then processed using artificial intelligence techniques including computer vision and machine learning to analyze plant imagery and classify more than 38 types of plant diseases. Based on this analysis, the robot autonomously plans optimal paths and executes movement and inspection tasks in real time.

GHRS integrates a live monitoring and control interface that displays camera feeds, disease detection results, system status, and operational alerts, enabling real-time supervision and intervention when required. The platform is powered by a solar energy system with battery storage, providing an environmentally sustainable and continuous operating capability suitable for greenhouse conditions.

The system is designed with safety and reliability features including obstacle avoidance, emergency stop functionality, error monitoring, and controlled speed limits. GHRS supports applications in greenhouse farming, open-field agriculture, research data collection, and educational use, serving as a practical demonstration of autonomous robotics, AI-driven analysis, and sustainable agricultural technology.



AI & CYBERSECURITY SOLUTIONS WE WILL FIND A SOLUTION, OR CREATE ONE'

5. Helicopter AI-Assisted Maintenance Training Platform (Weaponized)

The Helicopter AI-Assisted Maintenance Training Platform is a military-grade maintenance training support system developed to assist maintenance units operating light attack and reconnaissance helicopters. The platform is designed exclusively for maintenance training purposes and does not provide flight training, mission simulation, or operational instruction.



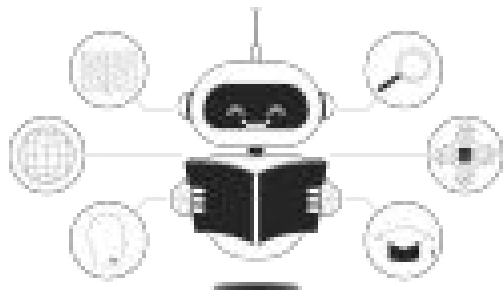
The system delivers a high-fidelity, interactive 3D maintenance environment that accurately represents the physical configuration of operational helicopters. This environment enables maintenance personnel to build procedural familiarity and technical readiness while operating strictly within approved military aviation maintenance frameworks and regulations.

The platform is engineered in full compliance with OEM maintenance manuals, Military Technical Orders (TOs), and EASA / FAA-recognized maintenance documentation where applicable. A strict zero-deviation policy is enforced, ensuring that no procedures, values, warnings, or sequences are altered, and that no unapproved or inferred data is introduced.

Artificial intelligence within the platform is used in a non-interpretive role and functions solely as a semantic indexing and retrieval layer. AI capabilities are limited to locating and displaying exact references, paragraphs, figures, and diagrams from approved technical documentation. All interpretation, decision-making, and maintenance authority remain exclusively with qualified human technicians and supervising personnel.

The platform supports the maintenance training lifecycle by reinforcing standardized workflows (Identify → Inspect → Repair → Verify), enabling procedural familiarization prior to interaction with live aircraft, and allowing instructors to monitor task progression and trainee readiness. The system does not issue certifications or replace approved training centers or regulatory authorities.

Core capabilities include an interactive 3D maintenance digital twin of a weaponized rotary-wing aircraft, documentation-anchored technical reference retrieval, advanced visualization tools such as X-ray views for internal structures, and strict segregation of maintenance content by aircraft type. The system is built on a modular architecture that allows for future expansion to additional aircraft types, subject to regulatory approval and availability of authorized technical data, while maintaining full compliance with aviation maintenance governance principles.



AI & CYBERSECURITY SOLUTIONS WE WILL FIND A SOLUTION, OR CREATE ONE'

3.5 Advantages

1. End-to-End In-House Solutions

Covering the entire lifecycle from design and development to deployment and support.

- Design
- Development
- Support

2. Proven Multi-Sector Expertise

Delivering solutions for education, defense, cybersecurity, and enterprise automation.

- Education
- Cybersecurity
- Defense
- Enterprise Automation

3. Delivering Measurable Impact & ROI

All models are focused on precision and efficiency to optimize investment returns.

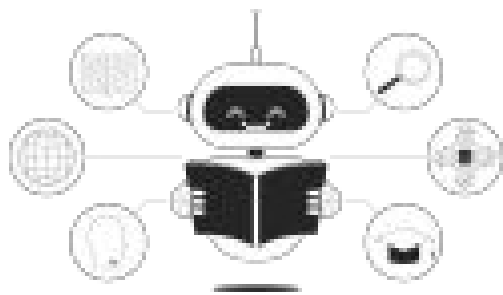
4. Strategic Foundation

Pioneering National AI Leadership

Among the first to design and deploy integrated AI systems using local Jordanian expertise.

5. Built on Trust & Compliance

Engineered to meet national data laws and international AI governance standards.



AI & CYBERSECURITY SOLUTIONS WE WILL FIND A SOLUTION, OR CREATE ONE'

3.6 References

#	Project / Client	Solution Type	Scope & Impact	Role & Contribution
1	Smart Class Platform (Web & Mobile App)	EdTech / SaaS	Developed a dual-platform educational management system . Features real-time attendance, digital content delivery, and interactive tools for schools in UAE & Jordan. ¹	Software Development Lead Led the technical architecture and development lifecycle, coordinating with the mobile and backend teams to ensure seamless data synchronization.
2	SiTest & Psy-master (Integrated Platform)	AI Assessment & E-Learning	Built a robust psychometric testing and personalized training engine .The system uses data-driven insights to evaluate candidate traits for HR and educational institutions. ²	Software Development Lead Oversaw the core logic implementation for assessment algorithms and managed the integration between the testing engine (SiTest) and the training module (Psymaster).
3	Seagull AI Solutions (SAIS)	AI Corporate Portal	A sophisticated web platform highlighting AI capabilities in automation and sustainable development .Positioned the client as a leader in AI innovation in the MENA region. ³	Software Development Lead Developer Collaborated with UI/UX designers to implement complex service visualizations and high-performance frontend architecture.
4	SmartTrack Institute (smartTrack)	LMS & Training Portal	An AI-powered educational portal with an integrated Learning Management System (LMS) for onsite and online training in Abu Dhabi. ⁴	Software Development Lead
5	Medical Training "Docrazi"	Marketplace / Specialized Platform	A specialized marketplace for medical electives and recruitment .Features a simplified application process and secure booking system for global clinical experiences. ⁵	Software Development Lead Developed the secure booking engine and marketplace features, ensuring strict data privacy standards for medical professionals.
6	MetaFox Company Metafox	Corporate Digital Identity	A high-performance corporate website for a leading UAE IT provider . Showcases CCTV, ERP, and networking solutions with a lead-generation focus. ⁶	Software Development Lead Built a responsive, SEO-optimized interface to establish a strong digital presence and drive business leads.

Projects Participated In:

1	The Smart Driving Test System and Electronic Driving Monitoring System	Comprehensive AI-powered automated driver examination platform developed for the PSD (Public Security Directorate) to modernize and standardize driving assessments across Jordan. The system integrates cutting-edge computer vision, real-time sensor fusion, and intelligent processing technologies to provide objective driver evaluation and enhance road safety during practical driving tests. By leveraging advanced AI algorithms and multi-sensor integration, the platform delivers consistent, standardized assessments while maintaining safety standards and regulatory compliance. This modernization initiative represents a significant advancement in Jordan's transportation infrastructure, enabling the PSD (Public Security Directorate) to conduct more reliable and objective driver examinations through automated, intelligent monitoring capabilities.
---	--	---



AEROSPACE & AVIATION SOLUTIONS

'WE WILL FIND A SOLUTION, OR CREATE ONE'

4. Aerospace and Aviation Solutions

4.1 Introduction

At FB GROUP, we provide cutting-edge Aerospace and Aviation Solutions designed to enhance the safety, efficiency, and reliability of aviation operations. Our expertise spans a broad range of services and technologies, ensuring that our clients in the aviation industry can meet the highest standards of performance and compliance.

4.2 Our Vision

To lead the way in providing innovative, reliable, and sustainable solutions that support the evolving needs of the global aviation industry. We are committed to enhancing the safety, efficiency, and environmental stewardship of aviation operations through our comprehensive range of services.

FB GROUP's Aerospace and Aviation Solutions are designed to meet the demands of modern aviation, ensuring that our clients can navigate the complexities of the industry with confidence and success.

4.3 Our Solutions



Instrument Flight Procedure Design

- Standard arrival (STAR)
- Approach
- Standard instrument departure (SID)
- Airspace design and sectorization
- ATS routes (En-route).



Air Traffic Services - ATM

- Approach control
- Tower control
- ATM systems and operations engineering.
- Solution to support ATC operation
- ATM communication
- Navigation -Surveillance solution



Aeronautical Message Handling System - AMHS

- Modern communication system
- Ground to ground messaging operational message exchange between ATC, Airlines, Airports and other essential aeronautical information



Avionics Systems

- Communication systems
- Navigation systems
- Distance Measuring Equipment (DME)
- Display and monitoring systems
- Bird control solution
- Display and monitoring systems



AEROSPACE & AVIATION SOLUTIONS

'WE WILL FIND A SOLUTION, OR CREATE ONE'



Maintenance, Repair and Overhaul – MRO

- Aircraft types: commercial and military



Engine Inspection – Borescope Inspection

- Measurements
- Recording



Aircraft Spare Parts

- Expendables
- Consumables
- Rotable
- Service capabilities:
 - OEM: approved and certified material
 - New, over hauled, and serviceable conditions



Aircraft and Engine Acquisition

- New and pre-owned aircraft sales
- Commercial, general aviation aircrafts



Unmanned Aerial Systems – UAVs

- Comprehensive solutions for all industrial drone applications, support OME /ODM Customization.
- Agricultural drone
- Cleaning drone
- Transport drone
- Firefighting drone
- Fiber optic drone
- Long – endurance drone
- VTOL patrol drone



Space Instrumentation

- Star trackers
- Attitude determination system
- Control and synchronization unit
- Imaging payload with 2m GSD
- Submitting airlines licensing applications
- Providing dynamic pricing models to increase revenue and ensure its sustainability
- Analyzing legislative and regulatory gaps and providing actionable solutions.



AEROSPACE & AVIATION SOLUTIONS

'WE WILL FIND A SOLUTION, OR CREATE ONE'



Aviation Obstruction Lights

(Visual aids for denoting obstacles)

Compliance:

- ICAO Annex 14
- FAA L-810



Airport Support Services

Comprehensive Airport Infrastructure Solutions

- Design and Integration of Runway Lighting Systems
- Ground Control System

4.4 Our Clients



Royal Jordanian Air Force





AEROSPACE & AVIATION SOLUTIONS 'WE WILL FIND A SOLUTION, OR CREATE ONE'

4.5 Partners



4.6 List of References

Awarded Projects

Client

Project

2025

Jordan Aviation Company	OLS "Obstacle Limitation Surfaces" Modelling and Assessment, Amman Civil Airport
-------------------------	--

2022 - 2025

Civil Aviation Regulatory Commission	Flight Procedures Design Review for Queen Alia International Airport, Amman Civil Airport, and King Hussein International Airport
--------------------------------------	---

2022

Civil Aviation Regulatory Commission	Upgrade of AMHS "Air Traffic Message Handling System"
--------------------------------------	---



AEROSPACE & AVIATION SOLUTIONS

'WE WILL FIND A SOLUTION, OR CREATE ONE'

Quoted Projects

Client

Project

2025

Civil Aviation Regulatory
Commission

DME – DME System “Distance Measurement Equipment”

Civil Aviation Regulatory
Commission

Maintenance of Antennas and Cables at the Airports, Stations, and Buildings

2024

Civil Aviation Regulatory
Commission

ILS – DME System “Instrument Landing System CAT II – Distance Measurement Equipment”

2023

Civil Aviation Regulatory
Commission

AMHS Maintenance and Support “Air Traffic Message Handling System”

Civil Aviation Regulatory
Commission

Spare Parts for the ILS “Instrument Landing System”

2013

Civil Aviation Regulatory
Commission

Procedure for ILS Cat 1 System, Aqaba RWY 19

2012

Civil Aviation Regulatory
Commission

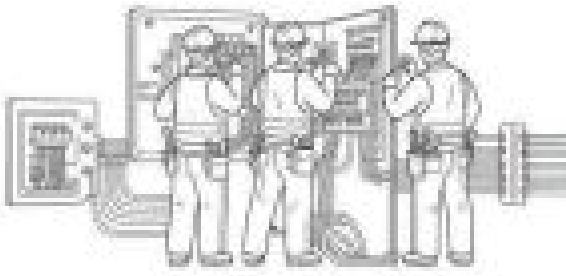
Procedure for ILS Cat 1 System, Aqaba RWY 19

Civil Aviation Regulatory
Commission

Pans-OPS Software

Airport International
Group

CCS Design and Install the Systems in Queen Alia International Airport



OPERATION, MAINTENANCE AND REHABILITATION WORKS 'WE WILL FIND A SOLUTION, OR CREATE ONE'

5. Operation, Maintenance and Rehabilitation Works

5.1 Introduction

FB GROUP provides services of installations, operation, maintenance and rehabilitation related to civil, electrical, mechanical works for industrial, residential, or commercial facilities, under engineering and technical methods within highest levels of professionalism, to ensure the end customer of a truly quality services.

5.2 Our Solutions

1- Electrical & Power Solutions



Electrical Installations



UPS (Uninterruptible Power Supply)



Generator Works



Outside/Inside Lighting

2- Data & Communications



Cabling



Data Cabling & Data Works

3- Civil & Structural Works



Piping



Concrete & Civil Work



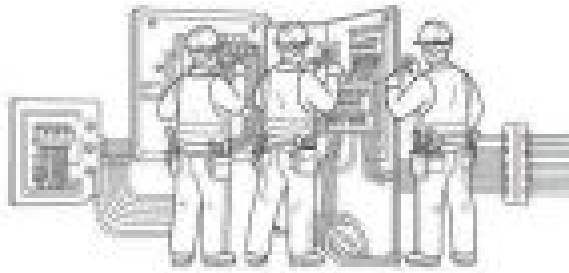
Structure



Fencing



Sanitation



OPERATION, MAINTENANCE AND REHABILITATION WORKS

‘WE WILL FIND A SOLUTION, OR CREATE ONE’

5.3 List of Executed Project With UNHCR

Year	Capacity	Value (JD)
2024 - 2026	Maintenance and Minor Construction Services at the MENA Bureau, Amman	203,099
2015	Supply and Installation of Electrical Works at Irbid Registration Center and Cyber City Camp	23,506
	Emergency Rectification Works after Sudden Electrical Failures at Irbid Registration Center (SDB with CB and SCB and cabling)	500
	Electrical Installation of UPS Power Distribution for Irbid Registration Center	16,542
2014	Electrical Cabling Services at Irbid Office, Following Electrical Upgrade To 3	4,400
	Phase (water proof thermal painting, main circuit breaker, 3 phase power cable, pipes and al needed accessories, civil works and concrete base)	
	Additional Electrical Works After Fire Incident in Irbid Registration Center	5,800
	Low Voltage Electrical Works in Irbid Field Offices, Irbid Registration Center, KAP and Cyber City	106,130

The following is a list of executed projects in relation to 3 of our core business lines: Operation, Maintenance & Rehabilitation Works, Renewable Energy Solutions and Hydrometric and Environmental Solutions, which works are integrated and mostly mutual in terms of components, materials supplies, installations works (electrical, mechanical, civil, etc...), testing and commissioning, as well as operation and maintenance.

Installation of plant components. Major components are: solar modules, solar inverters, mounting structure, cables (AC, DC and solar), surge arrestors, SCADA, electrical panels (circuit breakers, fuses, and protective relays, meters, etc..),

Similarity of Works for Renewable Energy Solutions:

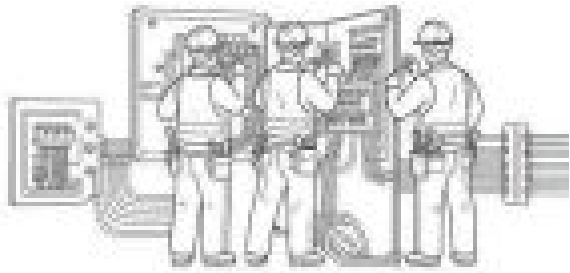
Works in general, include but not limit to:

- Cabling and connections.
- Testing and commissioning of the electrical low voltage and medium voltage networks components (transformers, switchgears, substations, etc...).
- Connection/integration to the electricity grid.
- Others: Civil works (excavations, ramming, drilling, concrete bases, structure mounting, drainage, piping and trenching etc...), lighting poles, CCTV, fencing, etc...
- Operation and maintenance: preventive, corrective, SCADA monitoring and controlling, data analysis, testing and measuring, reporting, etc...

Similarity of Works for Hydrometric and Environmental Solutions:

Works in general, include but not limit to:

- Concrete bases, ground leveling, drilling, cabling, trenching, and fencing.



OPERATION, MAINTENANCE AND REHABILITATION WORKS

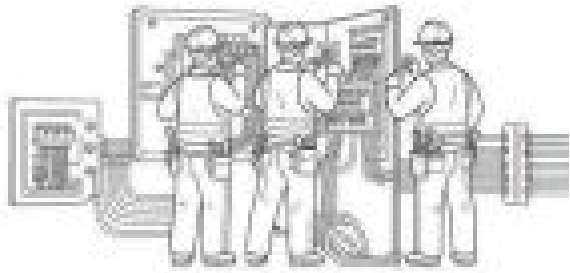
‘WE WILL FIND A SOLUTION, OR CREATE ONE’

Similarity of Works for Operation, Maintenance and Rehabilitation Business Line:

Works in general, include but not limit to:

- Electrical Works: Comprehensive electrical installations and cabling.
- Power Distribution: UPS systems, including installation and commissioning.
- Sanitation works: Installations of sanitation systems and repairs.
- Interior and Exterior lighting solutions.
- Building Connections: Electrical connections for buildings, including sockets, wiring, etc...
- Civil Works: Execution of necessary civil infrastructure including excavations, piping, trenching, drainage, roads, asphaltting, etc...
- Facility Repairs: Comprehensive facility repair services, including carpentry, plumbing, metalwork, and structural repairs.

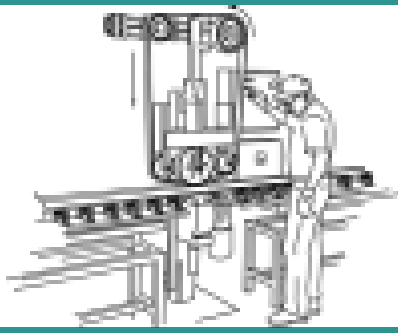
Year	Client	Capacity
2024 - 2026	UNHCR, MENA Bureau, Amman	Maintenance and Minor Construction Services
2022 - 2024	World Food Program, Amman	Operation and maintenance of 189 kWp Solar Energy Plant for 2 years
2022 - 2023	Jordan Atomic Energy Commission	Operation and Maintenance of the weather station, air quality station, off-grid power plant and diesel-generator, located at Amra Palace
2020 - 2022	Aal Al Bait University	Operation and maintenance of 3 MW Solar Energy Plant for 2 years
2017 and beyond for projects with operation and maintenance scope	Chart General Contractor Co.	Solar lighting poles (cabling, construction works, concrete bases and all ground leveling needed for the installation)
	Irbid Specialized Hospital	0.804 MW Solar Energy Plant realized as canopies, carports and rooftops (low voltage connected, net metering basis, EPC contract, 2 years operation and maintenance)
	Civil Defense Directorate	1.1 MW Solar Energy Plant realized as a solar farm (medium voltage connected on overhead lines, wheeling basis, BOT contract for 43 months)
	German Jordanian University	2.11 MW Solar Energy Plant realized as canopies, carports and rooftops (low voltage connected inside the campus, net metering basis, EPC contract, 5 years operation and maintenance)



OPERATION, MAINTENANCE AND REHABILITATION WORKS

'WE WILL FIND A SOLUTION, OR CREATE ONE'

2016	<p>Al Hussein Bin Talal University</p> <p>General Directorate of the Gendarmerie Forces</p> <p>Hashemite University</p>	<p>3 MW Solar Energy Plant realized as a solar farm (medium voltage connected on a substation, net metering basis, BOT contract for 43 months)</p> <p>Solar lighting poles (cabling, construction works, concrete bases and all ground leveling needed for the installation)</p> <p>5 MW Solar Energy Plant realized as: 4 MW solar farm and 1 MW canopies and carports (medium voltage connected to a substation and low voltage connected inside the campus, net metering basis, EPC contract, 3 years operation and maintenance)</p>
2014	<p>International Center for Agricultural Researches in Dry Area (ICARDA), Jordan</p> <p>The University of Jordan (Program of MSc in Climatic Environment)</p>	<p>Automatic Weather Station (cabling, construction works, installing fences, concrete bases and all ground leveling needed for the installation)</p> <p>Automatic Weather Station (cabling, construction works, installing fences, concrete bases and all ground leveling needed for the installation)</p>
2013	<p>The University of Jordan (Water, Energy and Environment Center)</p>	<p>Automatic Weather Station (cabling, construction works, installing fences, concrete bases and all ground leveling needed for the installation)</p>
2012	<p>Ministry of Water & Irrigation</p>	<p>Telemetric Water Resources Observation Network, Phase 3; Supplying, installation, commissioning and maintenance of 30 stations (cabling, construction works, installing fences, concrete bases and all ground leveling needed for the installation)</p>
2011	<p>Ministry of Water & Irrigation</p>	<p>Telemetric Water Resources Observation Network, Phase 2; Supplying, installation, commissioning and maintenance of 35 stations (cabling, construction works, installing fences, concrete bases and all ground leveling needed for the installation)</p>



EDUCATION & TRAINING SOLUTIONS

'WE WILL FIND A SOLUTION, OR CREATE ONE'

6. Education & Training Solutions

6.1 Introduction

FB GROUP is dedicated to supplying, installing and commissioning of didactic engineering, medical and natural science equipment and laboratories.

We propose flexible systems that ensure maximum compliance with current state-of-the-art technologies and the skills demands of local industrial markets.

The didactic equipment are meant to cover a wide range of the technology courses described in the curricula of universities and technical, vocational and medical institutes.

6.2 Our Services



1. Pre-Sales

- Technical consultation.
- Pre-bid preparation.

2. Supply

- We are keen to provide the best solutions for our clients through a solid worldwide network of partners from different origins; USA, Europe, Korea and India.

3. Installation, Commissioning, Operation and Maintenance

- Performed at site by our well experienced and trained engineers.

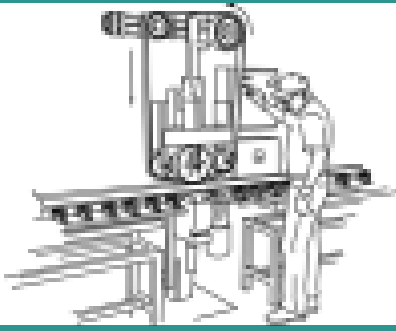
4. Training

- Client's staff get trained on the newly installed equipment by our professional engineers, make sure that the client is capable to use and operate the equipment.

6.3 Our Solutions

1. Engineering Lab





EDUCATION & TRAINING SOLUTIONS

'WE WILL FIND A SOLUTION, OR CREATE ONE'

2. Natural Science Labs



Physics Lab



Biology Lab



Chemistry Lab

3. Technology Labs



4. Medical Labs

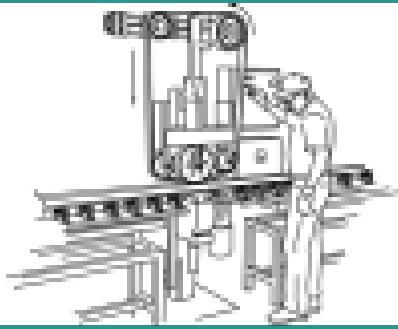


5. E-learning Labs & Vocational Training Labs



6. Testing and Measurement Equipment





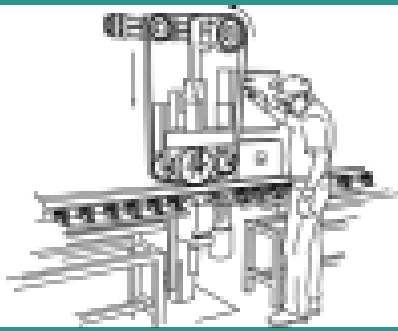
EDUCATION & TRAINING SOLUTIONS

'WE WILL FIND A SOLUTION, OR CREATE ONE'

6.4 Our Clients

- Ministry of Education
- Civil Defense
- Royal Medical Services
- The Hashemite University
- AlHussein Technical University
- German Jordanian University
- University of Jordan
- Mutah University
- Yarmouk University
- AlBalqa Applied University
- Jordan University of Science & Technology
- Al-Albait University
- Philadelphia University





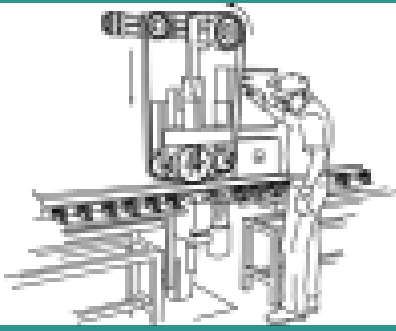
EDUCATION & TRAINING SOLUTIONS 'WE WILL FIND A SOLUTION, OR CREATE ONE'

6.5 Ionic Projects

Structural Engineering Laboratory Development – The Hashemite University (Jordan)

An academic and research project focused on establishing an advanced structural engineering laboratory capable of performing static, dynamic, and seismic testing of structural components and systems. The scope included laboratory layout optimization, installation of testing and instrumentation systems, development of a movable test frame for high-capacity actuators, and structured training programs covering equipment operation, instrumentation, data acquisition, and full-scale experimental testing using reaction floors, reaction walls, and a shake table. Two weeks of on-site training were provided following the acceptance testing to ensure effective operation and utilization of the laboratory facilities for education and research purposes.





EDUCATION & TRAINING SOLUTIONS

'WE WILL FIND A SOLUTION, OR CREATE ONE'

6.6 Corporate Social Responsibility

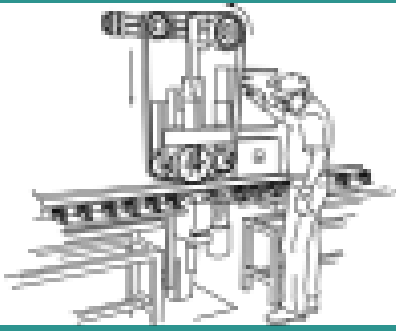
FB GROUP, as a Jordanian multi-disciplinary engineering corporation, is committed to empowering the engineering community and contributing to sustainable socio-economic development. Through strategic partnerships, donations, training initiatives, and environmental responsibility, FB GROUP has established itself as a leading model of corporate citizenship in Jordan and the region.

Our CSR program was recognized with the MESIA "CSR Program of the Year" Award (2022), reflecting the impact and consistency of our efforts.

Our corporate social responsibility is embodied in different segments, where our contributions are either technical, financial or by efforts:

- **Engineering Community Empowerment:**
FB GROUP partners with leading universities including Al Hussein Technical University, JUST, PSUT, GJU, Hashemite University, and Al Zaytoonah University.
 - Delivered free training courses for undergraduates.
 - Provided specialized training opportunities for graduates.
- **Internship Programs:**
Since 2012, FB GROUP has hosted over 100 interns from the Jordan Engineers Association, with most transitioning into full-time roles. Internship duration ranges from 6 to 12 months.
- **Strategic Partnerships Agreements:**
FB GROUP maintains a five-year partnership with the Crown Prince Foundation (CPF):
 - Annual financial contributions.
 - In-kind donations.
 - Technical support for CPF initiatives.
- **Donations:**
We strongly believe in our role as an engineering corporation to improve university students and fresh graduates' technical skills and experience by providing industrial labs with the latest technology equipment and industrial labs compatible with the real markets (especially international markets), giving them confidence to fulfill employers' needs and better employment opportunities.

8,000 \$	• Two Biology Labs • Hussein Technical University
14,000 \$	• Electrical Lab • University of Jordan
42,000 \$	• Industrial Automation Lab • University of Jordan
150,000 \$	• Industrial Automation Labs (Basic & Advance) • Hussein Technical University
44,000 \$	• 12 Biology Labs • Different Public and Private Schools



EDUCATION & TRAINING SOLUTIONS

'WE WILL FIND A SOLUTION, OR CREATE ONE'

1. Engineering labs Equipment: Hussein Technical University:

- Robotics lab.
- Mechanical lab equipment.
- Industrial automation, basic lab
- Industrial automation, advanced and professional lab
- SCADA, remote monitoring and controlling.
- Industrial units for energy monitoring and redundancy and networking applications.
- Industrial PV energy lab.
- Industrial automatic weather station.

University of Jordan:

- Industrial automation, basic lab, 7 kits
- Industrial electrical meters lab.
- Civil lab equipment.

Al-Balqa Applied University:

- Industrial automation, basic lab, 7 kits.
- Solar energy lab equipment.

2. Biology lab Equipment:

- The Children's Museum.
- 7 Biology labs to public universities, including: Aal Al Bait University, Hussein Technical University, University of Jordan, Tafileh Technical University, Al Hussein Bin Talal
- 25 labs for different public and private schools and educational centers.

3. Projects Oriented Equipment / Services:

German Jordanian University:

- Equipment needed for the solar modules cleaning machine, data transmitter, MC4 and high power LED lights, which are needed by the university for the 2.11 MW solar energy plant project.

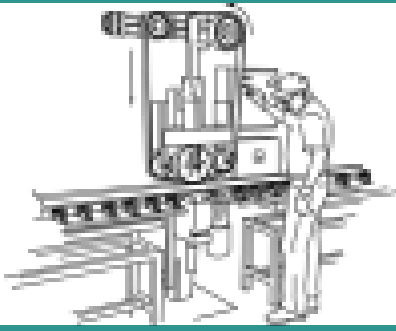
4. Supporting Initiatives, Social Events and Educational Events

- Provide financial support to NAUA initiative, established under the umbrella of Crown Prince Foundation.
- Provide financial support to different social events executed by the Crown Prince Foundation and it's initiatives.
- Provide financial and technical support to universities Scientific Days.
- Provide financial support to "Poor Student" Fund of German Jordanian University

5. Memberships, Experience Support:

FB GROUP is a member in different boards and committees, providing its efforts and long engineering and managerial experiences to support the committees to achieve their missions and goals. Some of which are:

- Member of Jordan Engineers Association.
- Member of Jordan Electrical Engineering Association.
- Member of EDAMA Advocacy Committee.
- Head of Industrial Board of the Engineering Faculty at Hussein Technical University.
- Engineering Faculty Advisory Board at Hussein Technical University.
- Engineering Faculty Advisory Committee at the Hashemite University.
- Engineering Faculty Advisory Committee in Princess Sumaya University for Technology



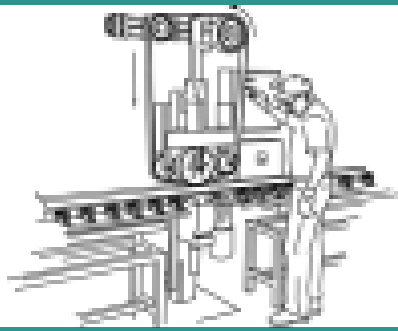
EDUCATION & TRAINING SOLUTIONS

'WE WILL FIND A SOLUTION, OR CREATE ONE'

6. Environmental Responsibility:

FB GROUP aims to reduce any damaging effects on the environment by applying some daily practices, including for example:

- Reducing amount of papers printed.
- Reuse of one sided printed papers, if any.
- Collecting newspapers and excess used papers and monthly delivering to the local recycling society.
- Rationalization of energy and electricity consumption.
- Rationalization of water usage.
- All solar cars had been replaced with hybrid cars during the last two years.



EDUCATION & TRAINING SOLUTIONS

‘WE WILL FIND A SOLUTION, OR CREATE ONE’

6.8 References

List of Executed Projects

Client	Capacity
Hashemite University	Structural systems lab equipment and devices
Hashemite University	Engineering Faculty labs equipment
Mutah University	Medical lab equipment
Jordan Meteorological Department	Barometers
Al Hussein Technical University	Mechanics and hydraulics lab equipment
Al Hussein Technical University	Construction technology lab equipment
Al Hussein Technical University	Full automation lab consists of: <ul style="list-style-type: none"> – Basic learning center kits – GROOV, Remote Monitoring and Controlling >> Supplying, installation, commissioning, and training for staff engineers.
Al Hussein Technical University	Full automation lab consists of: <ul style="list-style-type: none"> – Advanced and professional training kits – GROOV, Remote Monitoring and Controlling – Redundancy and networking applications – Energy monitoring unit kit >> Supplying, installation, commissioning, and training for staff engineers.
Al Hussein Technical University	6 KW _p off-grid photovoltaic system (3 systems - 2 kWp each: fixed tilt, single axis tracking and double axis tracking), for education and research. >> Supplying, installation, commissioning, and training for staff engineers.
Al Hussein Technical University	Biology lab equipment
The University of Jordan	Electrical meters laboratory
The University of Jordan, Industrial Engineering Dept.	Full automation lab - Basic learning center kits >> Supplying, installation, commissioning and training for staff engineers.
Jordanian Royal Medical Services	Ultrasonic nebulizer
Jordan University for Science and Technology	Photovoltaic lab equipment
The University of Jordan	Scientific devices and equipment
Aal Al-Bayt University	Anatomy and physiology laboratory equipment
Jordanian Royal Medical Services	Portable vascular hand held doppler
Yarmouk University	Scientific devices and equipment
Jordan University for Science and Technology	Science labs devices and equipment
Ministry of Education, USAID	Biology labs equipment for 28 new schools
German Jordanian University	Electronic circuits lab equipment